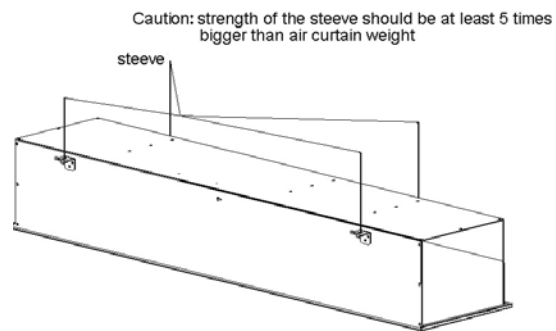
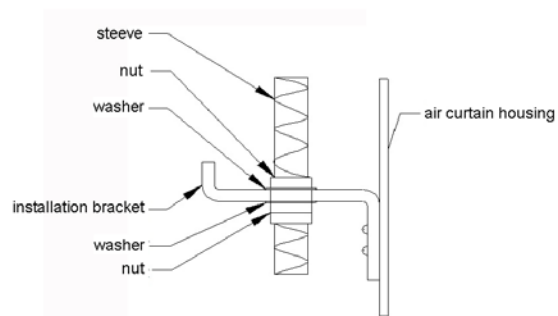


Ceiling air curtain installation guide

Installation:



pic1



pic2

1. Take out the air curtain from the carton, put the steeve into the hole of mounting bracket (Pic 2)
2. Put in washer, fix the machine horizontally with M10 nut. (Pic 1, Pic 2)

Attention:

1. When ceiling is wide, several air curtains can be mounted nearly, the gap between two machines should be 20-40mm.
2. When fixing mounting bracket, the bearing strength of steeve should be five times more than the weight of air curtain